

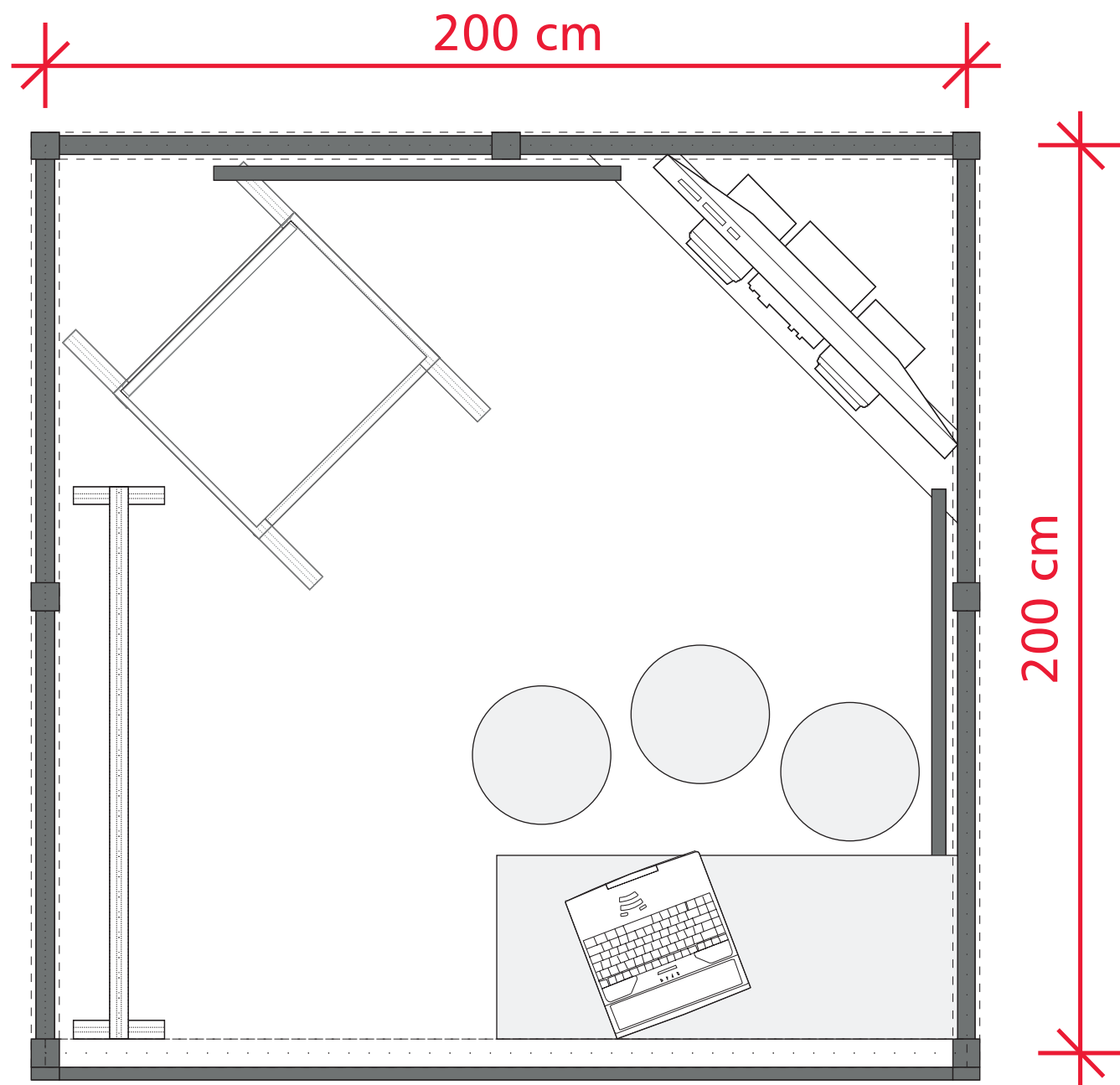


MACTEL

Network Of The Future...

Stand concept top-view

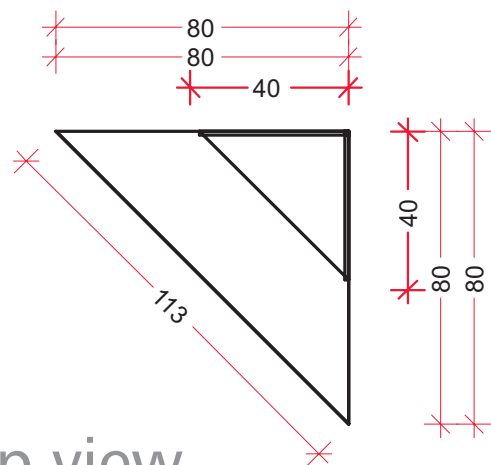
Stand dimensions:
200x200cm, inside will be placed
server rack units set, board on stand,
product glass-table, three seats
LCD TV, DVD set with HiFi
and speakers, posters and banners



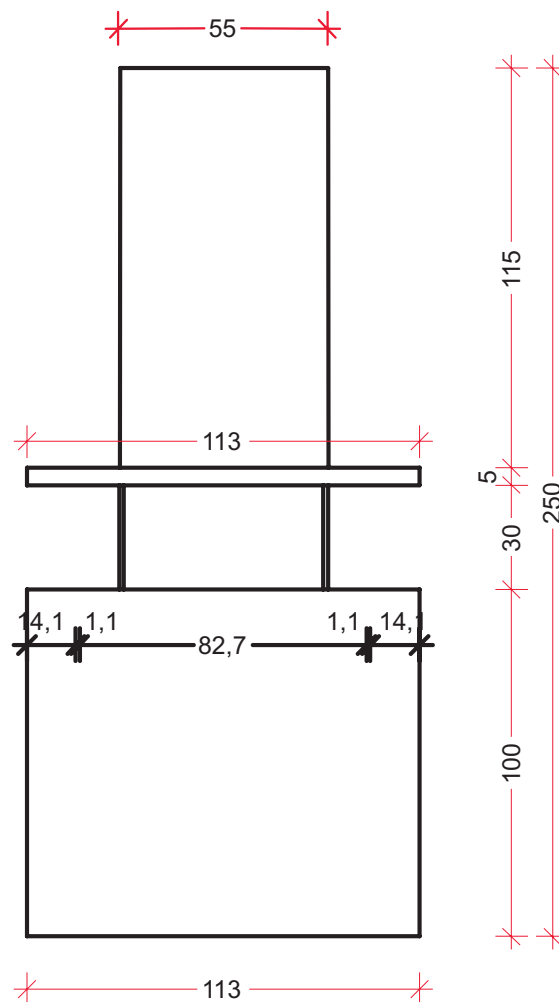
Exposure furniture project

Shelf made by laminat boards in colours from CID

Covered, inside space reserved for cables and devices



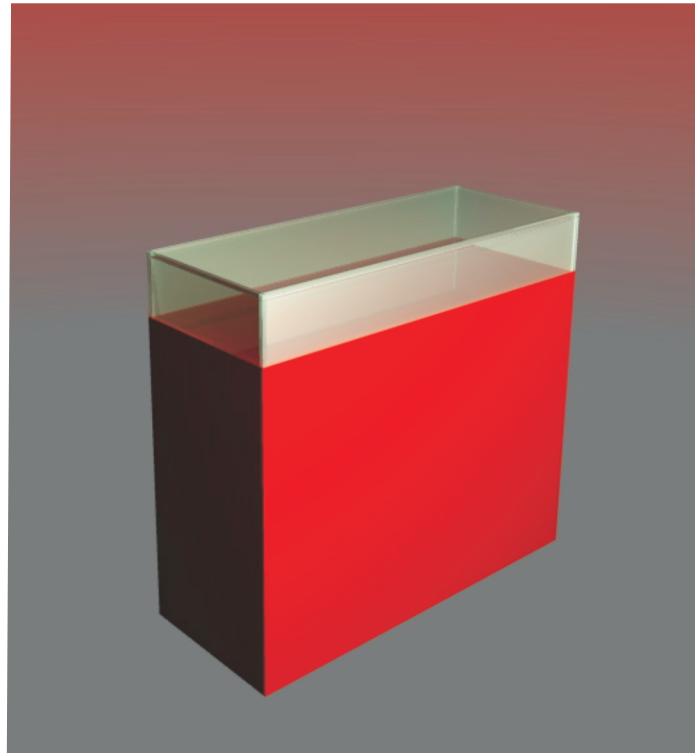
Top view



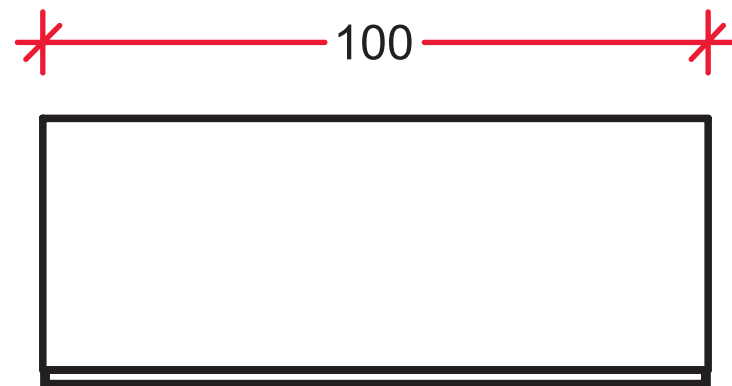
Front



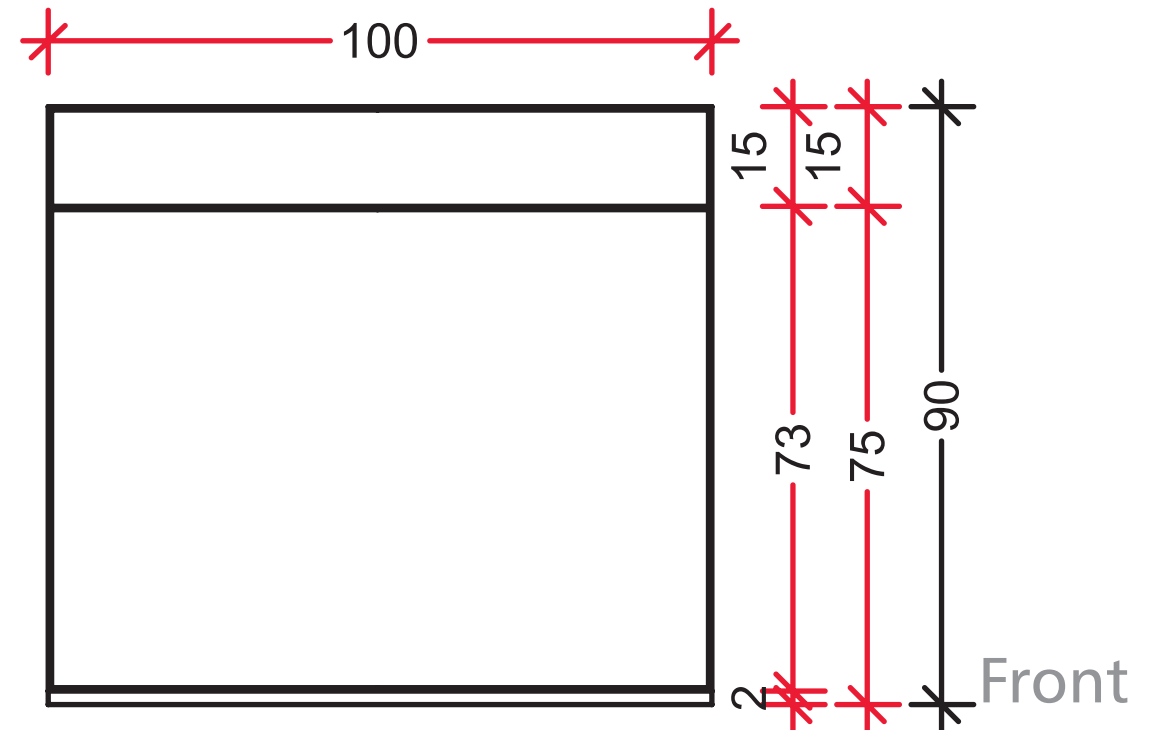
Visualisation



Visualisation



Top view



Front

Product glass-table project

Full table with glass shelf
1000x900x400 mm

Red board with red sides
Tempered glass